



MARCA

MODELO



ROLL&COMB 502 E-V19

Categoría producto: PEINADORA

Grupo producto: ELECTRICO

Potencia: 1600 W

Versión: 19

Cód.: 59-0008

FIG 1

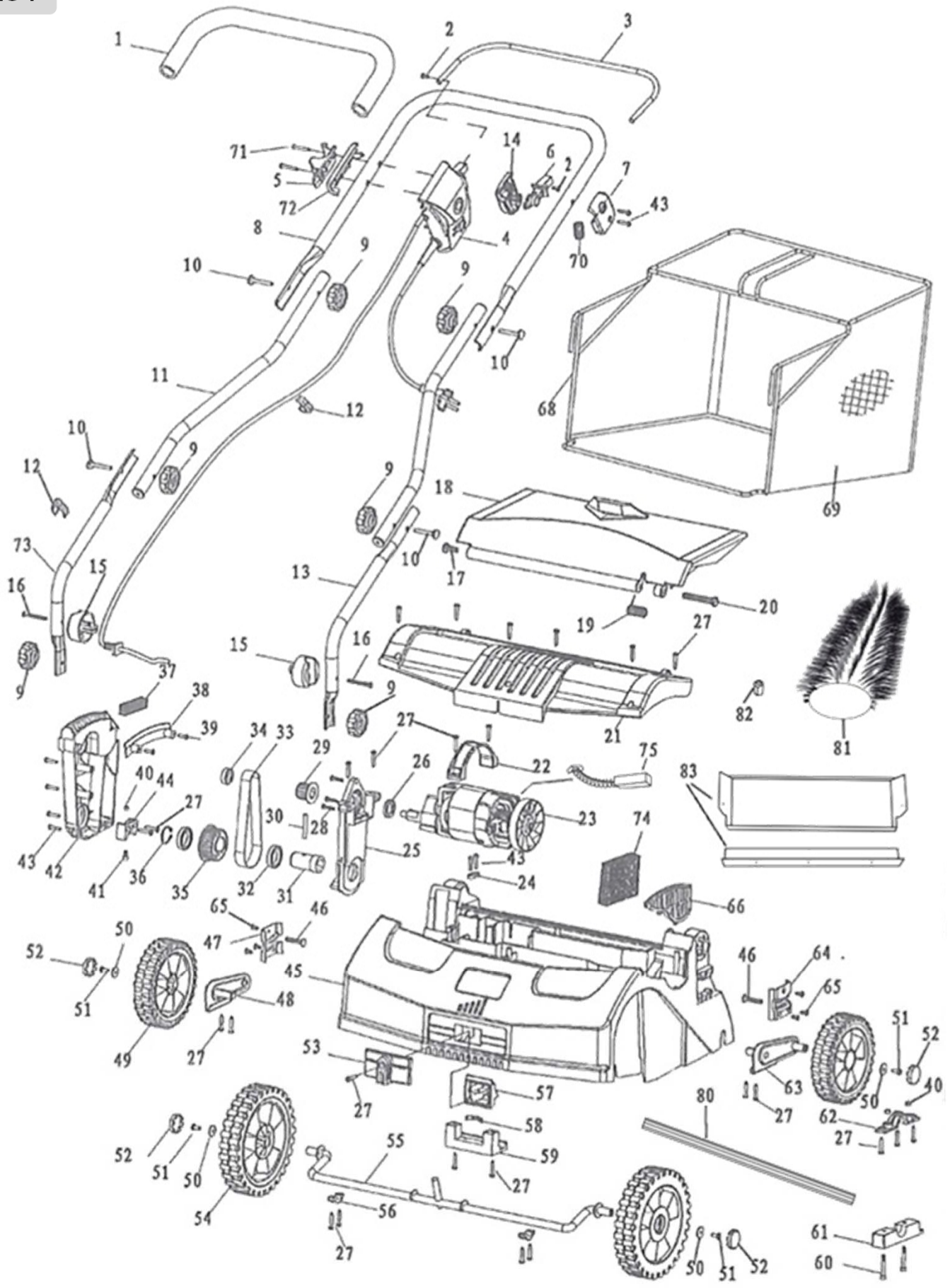


FIG. 1 ROLL&COMB 502 E-V19

Nº	Nº Ref.	Descripción	English name	Uds. por máquina
1	78SCAR501E-1	Funda manillar	Handlebar cover	1
2	78SCAR501E-2	Tornillo M4x10	Screw M4x10	2
3	78SCAR501E-3	Manilla interruptor	Lower lever	1
4	78SCAR501E-4	Interruptor	Switch	1
5	78SCAR501E-5	Fijador cable	Cable fixer	1
6	78SCAR501E-6	Leva interruptor	Switch lever	1
7	78SCAR501E-7	Fijador izq.	Left clamp	1
8	78SCAR501E-8	Manillar superior	Upper lever	1
9	78SCAR501E-9	Pomo manillar	Knob	6
10	78SCAR501E-10	Tornillo manillar M6x45	Screw M6x45	6
11	78SCAR501E-11	Tubo intermedio manillar	Middle bar	2
12	78SCAR501E-12	Clip cable	Clip	2
13	78SCAR501E-13	Tubo manillar inf. Izq.	Lower left handlebar	1
14	78SCAR501E-14	Fijador dch.	Right clip	1
15	78SCAR501E-15	Soporte manillar	Bar support	2
16	78SCAR501E-16	Tornillo manillar inf.	Screw	8
17	78SCAR501E-17	Pasador deflector	Pin	1
18	78SCAR501E-18	Tapa deflector	Deflector cover	1
19	78SCAR501E-19	Muelle deflector	Spring	1
20	78SCAR501E-20	Pasador deflector	Pin	1
21	78SCAR501E-21	Tapa motor	Engine cover	1
22	78SCAR501E-22	Faja motor	Engine fixer	1
23	78SCAR501E-23	Motor completo	Engine	1
24	78SCAR501E-24	Clip cable	Clip	1
25	78SCAR501E-25	Caja transmisión	Transmission box	1
26	78SCAR501E-26	Anillo retén	Retaining ring	1
27	78SCAR501E-27	Tornillo	Screw	18
28	78SCAR501E-28	Tornillo M4x20	Screw	3
29	78SCAR501E-29	Polea motor	Pulley	1
30	78SCAR501E-30	Pasador	Pin	1
31	78SCAR501E-31	Casquillo	Sleeve	1
32	78SCAR501E-32	Cojinete	Bearing	2
33	78SCAR501E-33	Correa	Belt	1
34	78SCAR501E-34	Cojinete	Bearing	1
35	78SCAR501E-35	Polea correa	Belt pulley	1
36	78SCAR501E-36	Frenillo	Retaining clip	1
37	78SCAR501E-37	Filtro	Filter	1
38	78SCAR501E-38	Soporte tapa	Support	1
39	78SCAR501E-39	Tornillo	Screw	2

FIG. 1 ROLL&COMB 502 E-V19

Nº	Nº Ref.	Descripción	English name	Uds. por máquina
40	78SCAR501E-40	Tuerca M5	Nut M5	10
41	78SCAR501E-41	Tornillo M5x10	Screw M5x10	1
42	78SCAR501E-42	Tapa transmisión	Transmission cover	1
43	78SCAR501E-43	Tornillo	Screw	4
44	78SCAR501E-44	Soporte	Support	1
45	78SCAR501E-45	Chásis	Chassis	1
46	78SCAR501E-46	Tornillo M6x30	Tornillo M6x30	2
47	78SCAR501E-47	Ajustador dch.	Right adjusting	1
48	78SCAR501E-48	Porta rueda dch.	Right support wheel	1
49	78SCAR501E-49	Rueda trasera	Rear wheel	2
50	78SCAR501E-50	Arandela	Washer	4
51	78SCAR501E-51	Tornillo M5x12	Screw M5x12	4
52	78SCAR501E-52	Tapón rueda	Cap	4
53	78SCAR501E-53	Pulsador	Height adjustment	1
54	78SCAR501E-54	Rueda delantera	Front wheel	2
55	78SCAR501E-55	Eje ruedas delanteras	Front wheel axis	1
56	78SCAR501E-56	Fijador eje	Axis clip	2
57	78SCAR501E-57	Soporte	Support	1
58	78SCAR501E-58	Muelle	Spring	1
59	78SCAR501E-59	Tapa	Cover	1
60	78SCAR501E-60	Tornillo M5x35	Screw M5x35	2
61	78SCAR501E-61	Soporte	Support	1
62	78SCAR501E-62	Tapa soporte	Support cover	1
63	78SCAR501E-63	Porta rueda izq.	Left support wheel	1
64	78SCAR501E-64	Ajustador izq.	Left adjusting	1
65	78SCAR501E-65	Tornillo	Screw	6
66	78SCAR501E-66	Tapa filtro	Filter cover	1
68	78SCAR501E-68	Chásis saco	Bag support	1
69	78SCAR501E-69	Saco recogedor	Collecting bag	1
70	78SCAR501E-70	Muelle	Spring	1
71	78SCAR501E-71	Tornillo interruptor	Switch screw	2
72	78SCAR501E-72	Tapa interruptor	Switch cover	1
73	78SCAR501E-73	Tubo manillar inf. Dch.	Lower right handlebar	1
74	78SCAR501E-74	Filtro	Filter	1
75	78SCAR501E-75	Escobillas	Brush	2
80	78COMBER502E-80	Eje rodillo	Roller shaft	1
81	78COMBER502E-600	Rodillo	Roller	1
82	78COMBER502E-601	Tuerca	Nut	1
83	78COMBER502E-602	Juego bandejas	Tray set	1